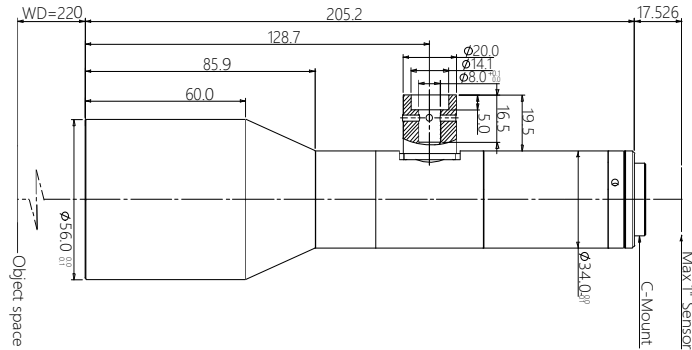




vision solution

Specification

SBS-YXDX220-0.46-I Big Sensor Size Telecentric Lens



Features (SBS-YXDX series)

- * Large FOV with low magnification.
- * Big working distance easy for illuminations and object allocation design.
- * High accuracy, low distortion, high telecentricity.
- * support up to 1.1" 12M class high-speed camera.

Parameters

Mag.(x)	0.46
WD (mm)	220±3
Sensor size (Dia.mm)	16.0(1")
Image F#	11.6
Image MTF30(pl/mm)	>80
Object DOF (mm)	±2.2@F11.6
Object distortion (%)	<0.25
Object telecentric degree	<0.1

Mechanical

Mount	C
Total length (mm)	205.2
Coaxial structure	Y

Field of View (mm x mm)

1" PYTHON 5000 (12.43x9.83)	27.0x21.4
1" IMX255 (14.19x7.51)	30.8x16.3
1" IMX183 (13.13x8.76)	28.5x19.0