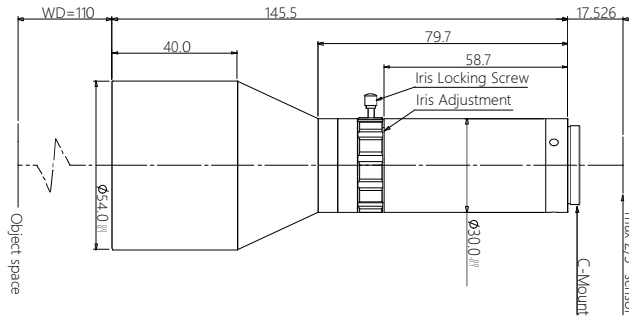




vision solution

Specification

SBS-SCP110-0.3 High Performance DoubleTelecentric Lens



Features (SBS-SCP series)

- *SCP series is designed for line scan with big sensor size and high accuracy.
- *Support 35mm full frame area scan camera.
- *Extreme imaging aperture, extraordinary diffraction limited imaging resolution, match high resolution camera.
- *Adjustable iris ring can be chosen.

Parameters

| | |
|---------------------------|------------|
| FOV (Dia.mm) | 37 |
| Mag.(x) | 0.300 |
| WD (mm) | 110±2 |
| Sensor size (Dia.mm) | 11.0(2/3") |
| Image F# | 3.75 |
| Image MTF30(pl/mm) | >220 |
| Object DOF (mm) | ±1.7@F3.75 |
| Object distortion (%) | <0.1 |
| Object telecentric degree | <0.1 |
| Object I/O(mm) | 273±2 |

Mechanical

| | |
|-------------------|-------|
| Mount | C |
| Total length (mm) | 145.5 |
| N.W(KG) | 0.4 |
| Iris adjust | Y |
| Coaxial structure | N |

Field of View (mm x mm)

| | |
|----------------------------|-----------|
| 1/1.8" EV76C570 (7.2x5.4) | 24.0x18.0 |
| 1/1.7" IMX226 (7.5x5.6) | 25.0x18.7 |
| 2/3" IMX250/264 (8.45x7.1) | 28.2x23.7 |