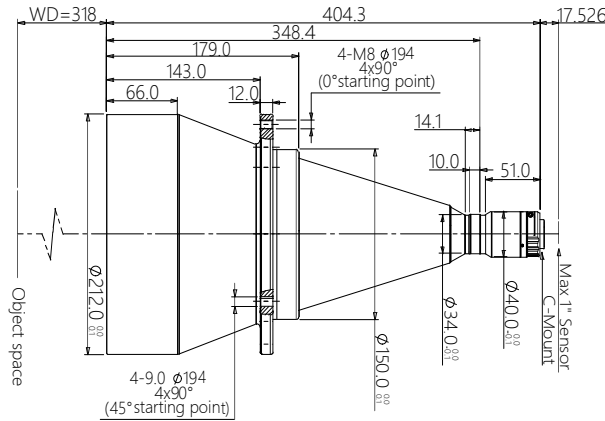




vision solution

Specification

SBS-SCJ318-0.098 High Resolution Double Telecentric Lens



Features (SBS-SCJ series)

- * Excellent double telecentric design for high resolution image result.
- * Field of view is from 26mm to 300mm, suitable for most of application.
- * Big Iris, low distortion, high parallel degree, big depth of view.
- * Sensor size is available for 1/2.5" 1/2" 1/1.8" 2/3" 1" 4/3" 1.75" 2" ϕ 39 35mm full.

Parameters

| | |
|---------------------------|----------------|
| FOV (Dia.mm) | 170 |
| Mag.(x) | 0.098 |
| WD (mm) | 318 \pm 5 |
| Sensor size (Dia.mm) | 16.6(1") |
| Image F# | 6.5 |
| Image MTF30(pl/mm) | >140 |
| Object DOF (mm) | \pm 66.6@F16 |
| Object distortion (%) | <0.1 |
| Object telecentric degree | <0.1 |
| Object I/O(mm) | 740 \pm 5 |

Mechanical

| | |
|-------------------|-------|
| Mount | C |
| Total length (mm) | 404.3 |
| N.W(KG) | 6.6 |

Field of View (mm x mm)

| | |
|----------------------------|-------------|
| 1" PYTHON 5000(12.43x9.83) | 126.8x100.3 |
| 1" IMX255(14.19x7.51) | 144.8x76.6 |
| 1" IMX183(13.13x8.76) | 134.0x89.4 |