

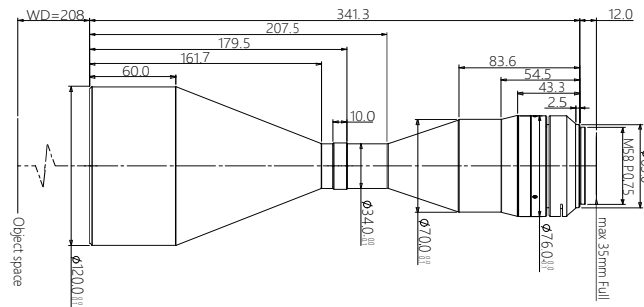


vision solution

# Specification

## SBS-SCJ208-0.484

High Resolution Double Telecentric Lens



### Features (SBS-SCJ series)

- \* Excellent double telecentric design for high resolution image result.
- \* Field of view is from 26mm to 300mm, suitable for most of application.
- \* Big Iris, low distortion, high parallel degree, big depth of view.
- \* Sensor size is available for 1/2.5" 1/2" 1/1.8" 2/3" 1" 4/3" 1.75" 2"  $\phi 39$  35mm full.

### Parameters

FOV (Dia.mm)	90
Mag.(x)	0.484
WD (mm)	208 $\pm$ 3
Sensor size (Dia.mm)	43.6(35mm Full)
Image F#	11.4
Image MTF30(pl/mm)	>75
Object DOF (mm)	$\pm$ 3.4@F20
Object distortion (%)	<0.1
Object telecentric degree	<0.1
Object I/O(mm)	561 $\pm$ 3

### Mechanical

Mount	M58
Total length (mm)	341.3
N.W(KG)	2.4

### Field of View (mm x mm)

CMV50000 (36.43x27.62)	75.3x57.1
KAI29050/2 (36.17x24.11)	74.7x49.8
KAI43142 (36.18x24.12)	74.8x49.8