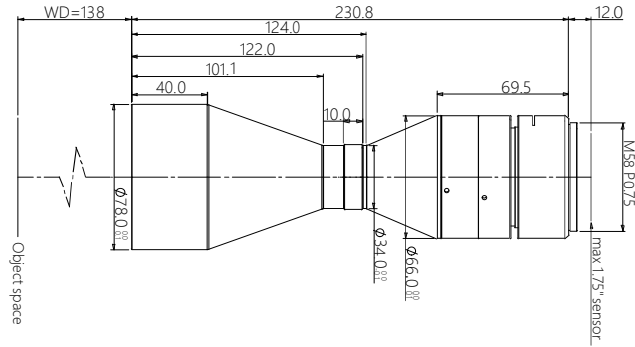




vision solution

Specification

SBS-SCJ138-0.518 High Resolution Double Telecentric Lens



Features (SBS-SCJ series)

- * Excellent double telecentric design for high resolution image result.
- * Field of view is from 26mm to 300mm, suitable for most of application.
- * Big Iris, low distortion, high parallel degree, big depth of view.
- * Sensor size is available for 1/2.5" 1/2" 1/1.8" 2/3" 1" 4/3" 1.75" 2" $\phi 39$ 35mm full.

Parameters

FOV (Dia.mm)	56
Mag.(x)	0.518
WD (mm)	138 \pm 3
Sensor size (Dia.mm)	29(1.75")
Image F#	9.7
Image MTF30(pl/mm)	>85
Object DOF (mm)	\pm 3.0@F20
Object distortion (%)	<0.1
Object telecentric degree	<0.1
Object I/O(mm)	381 \pm 3

Mechanical

Mount	M42/M48/M58
Total length (mm)	230.8
N.W(KG)	1.2

Field of View (mm x mm)

1.75" CMV12000 (22.53x16.90)	43.5x32.6
1.75" PYTHON16k (18.43x18.43)	35.6x35.6
1.75" LineScan-4k (28.8mm)	55.6