

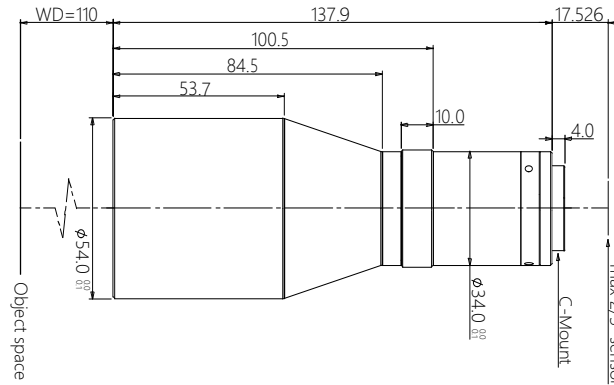


vision solution

# Specification

## SBS-SCJ110-0.317

High Resolution Double Telecentric Lens



### Features (SBS-SCJ series)

- \* Excellent double telecentric design for high resolution image result.
- \* Field of view is from 26mm to 300mm, suitable for most of application.
- \* Big Iris, low distortion, high parallel degree, big depth of view.
- \* Sensor size is available for 1/2.5" 1/2" 1/1.8" 2/3" 1" 4/3" 1.75" 2"  $\phi 39$  35mm full.

### Parameters

FOV (Dia.mm)	36
Mag.(x)	0.317
WD (mm)	110 $\pm$ 2
Sensor size (Dia.mm)	11.4(2/3")
Image F#	5.4
Image MTF30(pl/mm)	>145
Object DOF (mm)	$\pm$ 4.3@F11
Object distortion (%)	<0.1
Object telecentric degree	<0.1
Object I/O(mm)	265 $\pm$ 2

### Mechanical

Mount	C
Total length (mm)	137.9
N.W(KG)	0.4

### Field of View (mm x mm)

1/1.8" EV76C570 (7.2x5.4)	22.7x17.0
1/1.7" IMX226 (7.5x5.6)	23.7x17.7
2/3" IMX250/264 (8.45x7.1)	26.7x22.4