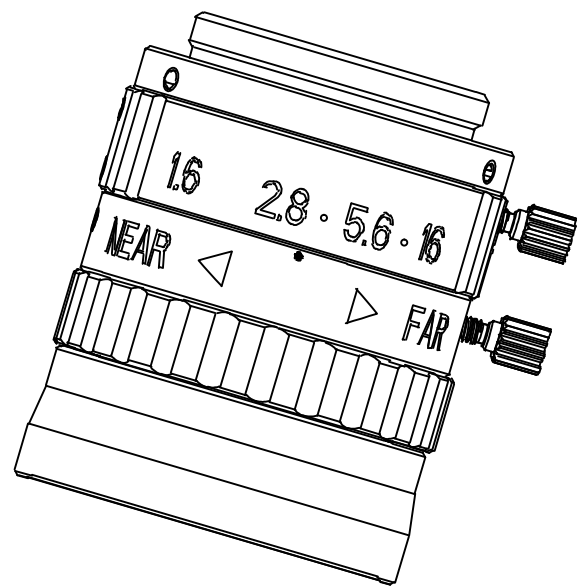


2/3" F1.6/16MM/5MEGA/C-MOUNT

FOCAL LENGTH	f=16MM		
F.NO	F=1:1.6~16		
FOCUS DISTANCE	0.1M~1.5M		
FLANGE BACK	17.526MM IN AIR		
BACK FOCUS	14.9MM IN AIR		
FILTER SCREW SIZE	M30.5*P0.5		
MOUNT	C		
REL.ILLUMINATION	≥70%		
CHIEF RAY ANGLE	<6°		
FIELD OF VIEW	SENSOR	2/3"	1/2"
	D	37.8°	28°
	H	30.7°	22.5°
	V	23.2°	17°
TV DISTORTION	<0.1%		<0.05%
WORKING DISTANCE	OPTICAL MAGNIFICATION	2/3" FIELD OF VIEW	
	MM	D	H
900	0.018	508.96	381.72
800	0.02	453.4	340.05
700	0.022	397.83	298.37
650	0.024	370.05	277.54
600	0.026	342.27	277.54
550	0.028	314.48	256.7
500	0.031	286.7	215.02
450	0.034	258.91	194.18
400	0.038	231.13	173.34
350	0.044	203.34	152.5
300	0.051	175.55	131.66
250	0.06	147.76	110.82
200	0.074	119.97	89.974
150	0.096	92.163	69.122
100	0.138	64.343	48.257



WORKING TEMPERATURE -40°C~80°C
 STORAGE TEMPERATURE -40°C~85°C

Common Tolerance		④					
Angle		±0.5°	③				
0.000		±0.01	②				
0.00		±0.03	①				
0.0		±0.05	Rev	Description	Name	Date	
0		±0.1		Design	Examine	Checked	Approved

Model		SBS-1616-5MP	
3RD ANGLE PROJ			
Unit	mm		
Scale	2:1		
Ver	00		
Date	2018.03.01		

